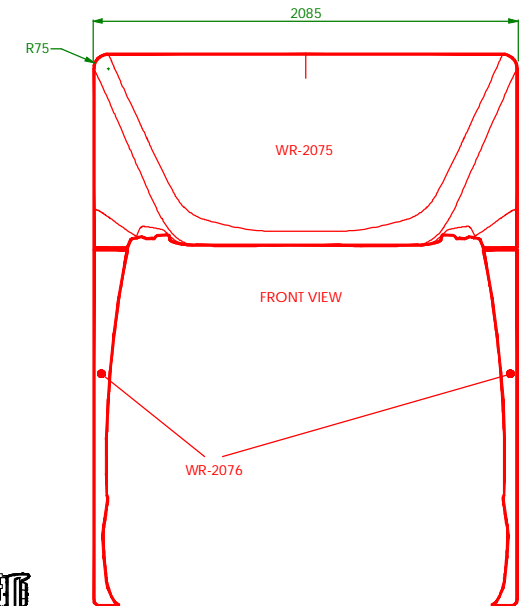
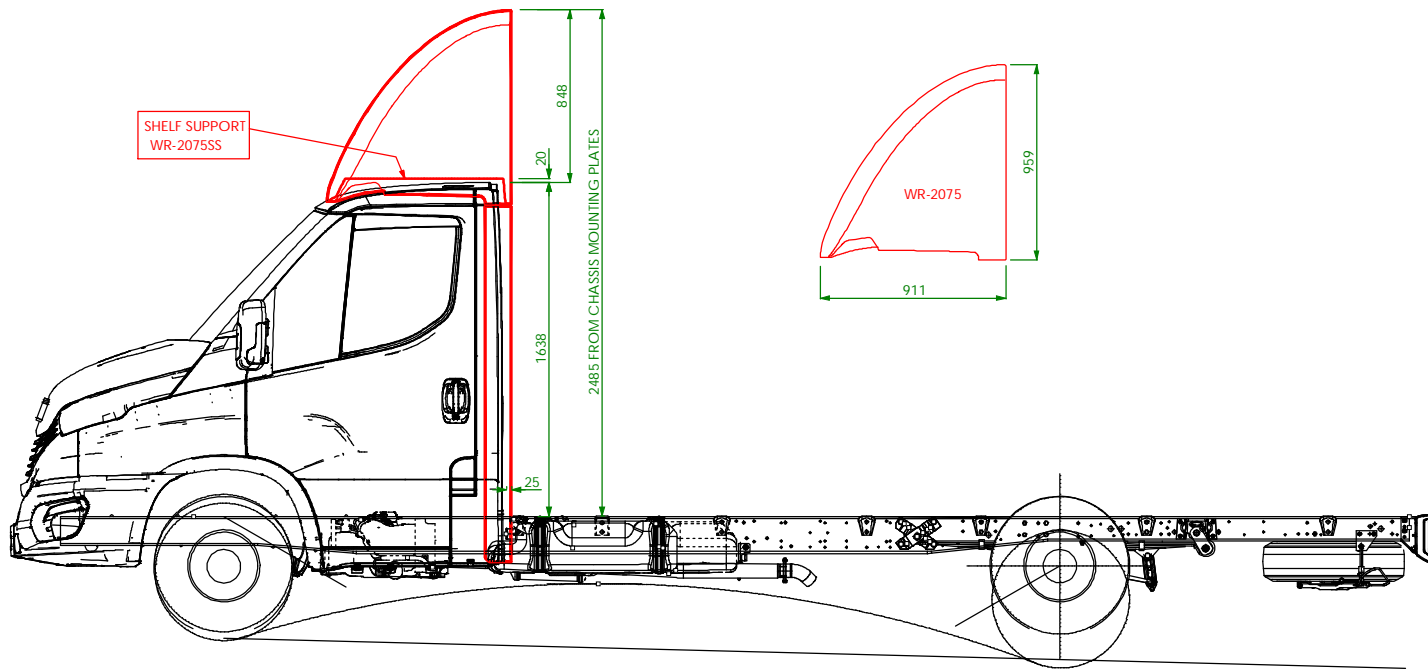
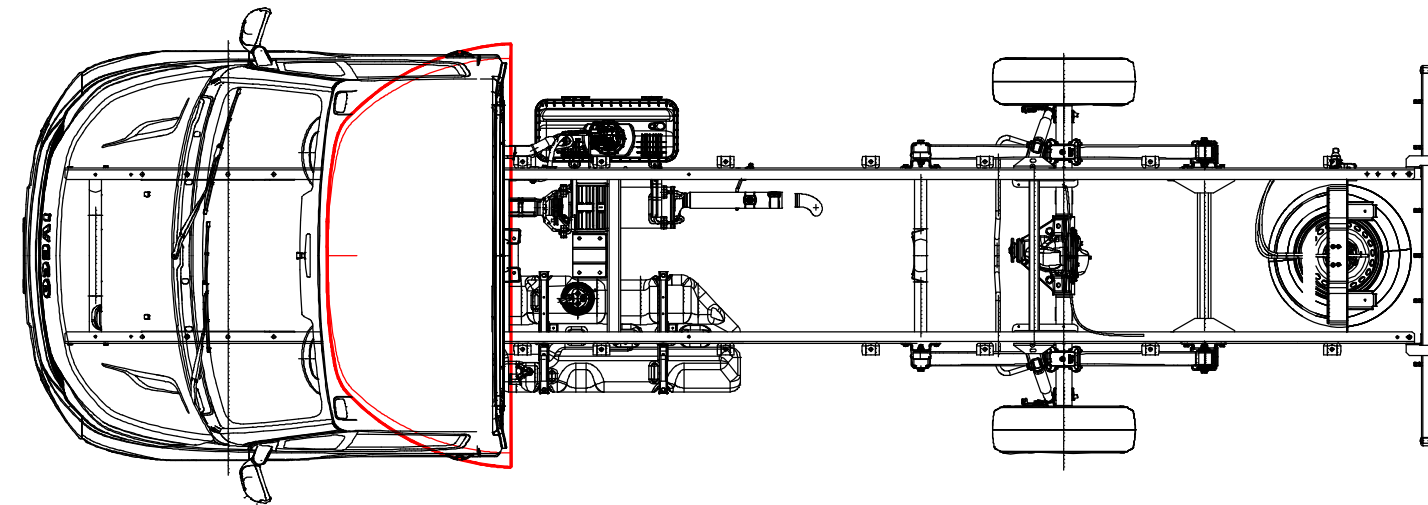


IMPORTANT NOTE!

THESE DIMENSIONS AND DRAWINGS ARE CONFIDENTIAL AND SUBMITTED WITHIN THE TERMS OF THE 'AERODYNE WLTP PRODUCT NON-DISCLOSURE' AND DESIGN PROTECTION AGREEMENTS. NO PART OF THIS DRAWING AND NO PRODUCT DIMENSIONS SHOULD BE DISCLOSED TO PARTIES OUTSIDE THESE AGREEMENTS. SHOULD THIS AGREEMENT BE BREACHED, AERODYNE WILL NOT HESITATE TO TAKE APPROPRIATE LEGAL ACTION.



DRAWN BY	KS
DATE	10-07-23
BATCH	-
CUSTOMER	-

PART No. WR-2075 / WR-2076
IVECO DAILY 3D LUTON POD AND FULL LENGTH CAB REAR SIDEWINGS.
OVERALL WIDTH IS 2085mm. SIDEWINGS PROTRUDE 25mm BEHIND CAB-REAR VERTICAL SEAMS, MEASURED AT CHASSIS TOP LEVEL.
CHASSIS TO TOP OF CAB IS APPROX 1638mm. THIS DIMENSION IS SUBJECT TO CHANGE AND CANNOT BE GUARANTEED BY AERODYNE.

Issue No: 01

ALL DIMENSIONS ARE IN MILLIMETRES
COLOUR:

AERODYNE GLOBAL LTD
Innovation House
Tunnel Bank, Bourne
Lincolnshire
PE10 0DJ, UK
+44 (0) 1778 422000

