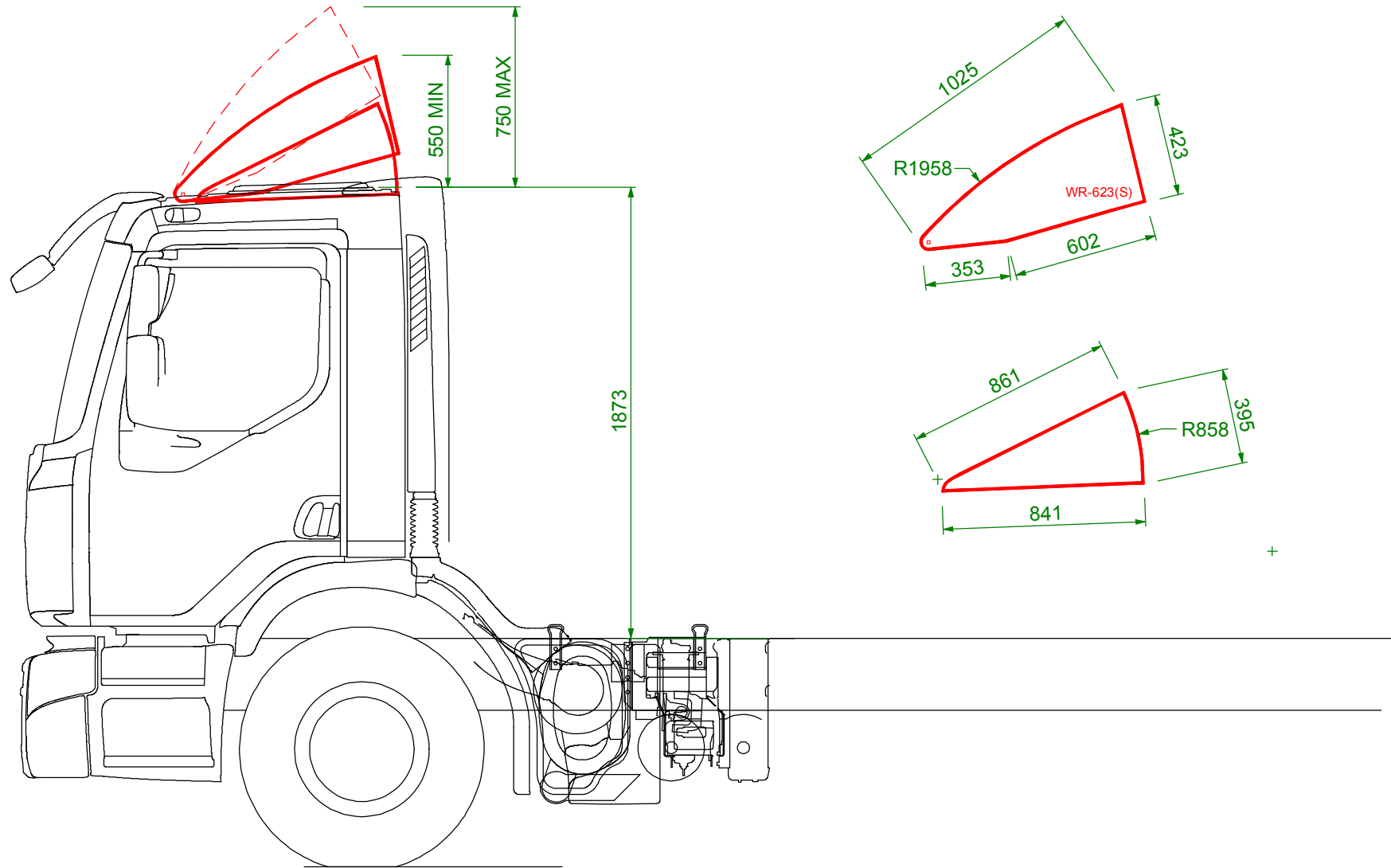


DEFLECTOR AND SIDEWINGS DRAWINGS CAN BE USED ON VOLVO FE DAY CAB CAD DRAWINGS.

RENAULT PREMIUM	VOLVO FE
WR-623(S)	WR-893(S)



DRAWN BY	PS
DATE	15-07-14
BATCH	
CUSTOMER	

PART No. WR-623(S)
 RENAULT PREMIUM DAY CAB EXTRA REDUCED DEPTH ADJUSTABLE 3D FAIRING.
 OVERALL WIDTH IS 2490mm.
 CHASSIS TO TOP OF CAB IS APPROX 1873mm. THIS DIMENSION IS SUBJECT TO CHANGE AND CANNOT BE GUARANTEED BY AERODYNE.

Issue No: 01

ALL DIMENSIONS ARE IN MILLIMETRES

AERODYNE EQUIPMENT
 Innovation House
 Tunnel Bank, Bourne
 Lincolnshire
 PE10 0DJ, UK
 +44 (0) 1778 422000

