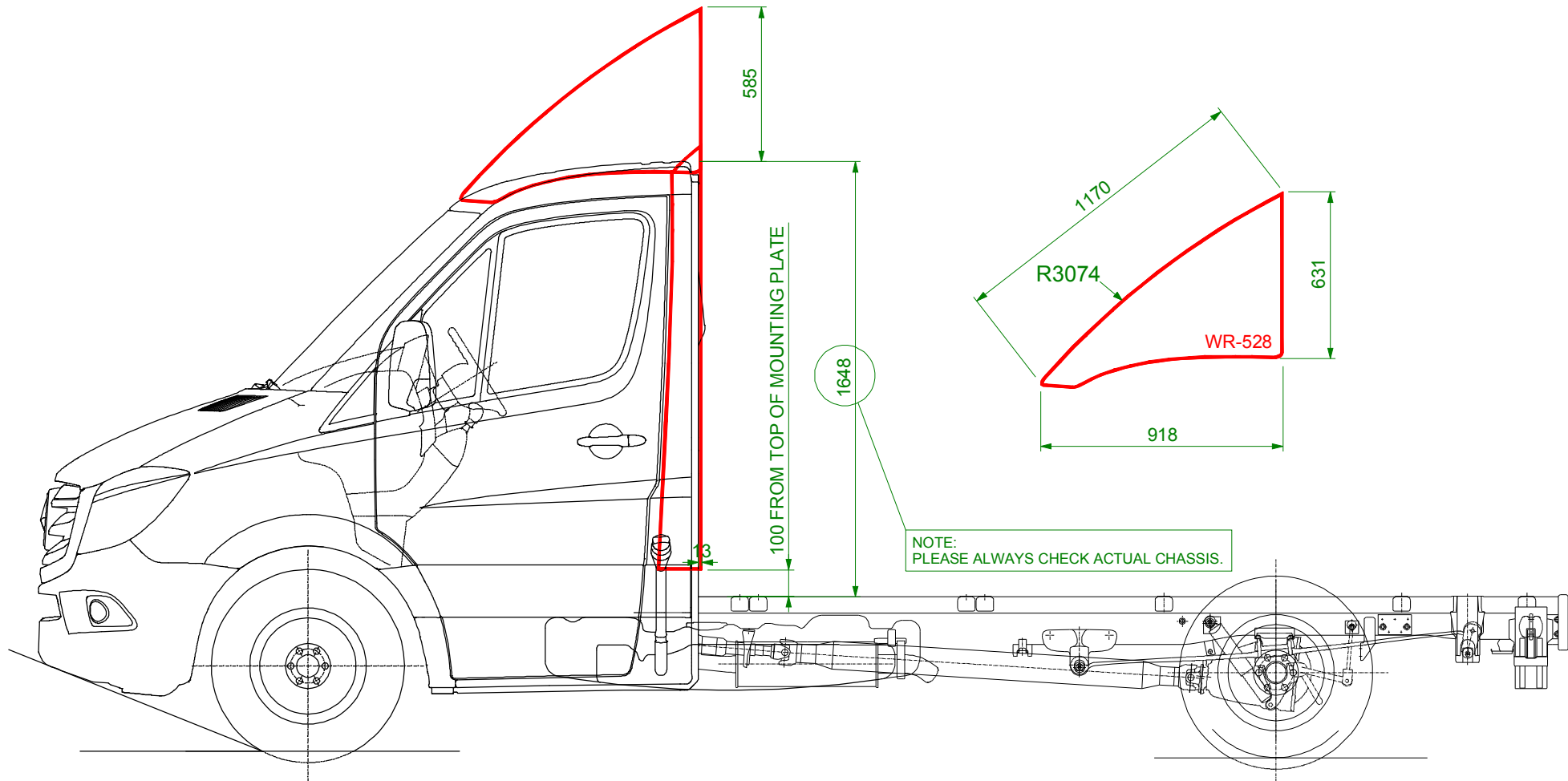


DEFLECTOR AND SIDEWINGS DRAWING CAN BE USED ON VOLKSWAGEN CRAFTER CAD DRAWINGS.

MERCEDES SPRINTER	VOLKSWAGEN CRAFTER
WR-528 / WR-524	WR-778 / WR-774



NOTE:  
PLEASE ALWAYS CHECK ACTUAL CHASSIS.

DRAWN BY	PS
DATE	22-07-16
BATCH	-
CUSTOMER	-

PART No. WR-528 / WR-524(CMP+100)

Issue No: 01

ALL DIMENSIONS ARE IN MILLIMETRES

MERCEDES SPRINTER MEDIUM 3D FAIRING AND FULL LENGTH CAB REAR SIDEWINGS.  
OVERALL WIDTH IS 2095mm. SIDEWINGS PROTRUDE 13mm BEHIND CAB-REAR VERTICAL SEAMS, MEASURED AT CHASSIS TOP LEVEL.  
CHASSIS TO TOP OF CAB IS APPROX 1648mm. THIS DIMENSION IS SUBJECT TO CHANGE AND CANNOT BE GUARANTEED BY AERODYNE.

AERODYNE GLOBAL LTD  
Innovation House  
Tunnel Bank, Bourne  
Lincolnshire  
PE10 0DJ, UK  
+44 (0) 1778 422000

