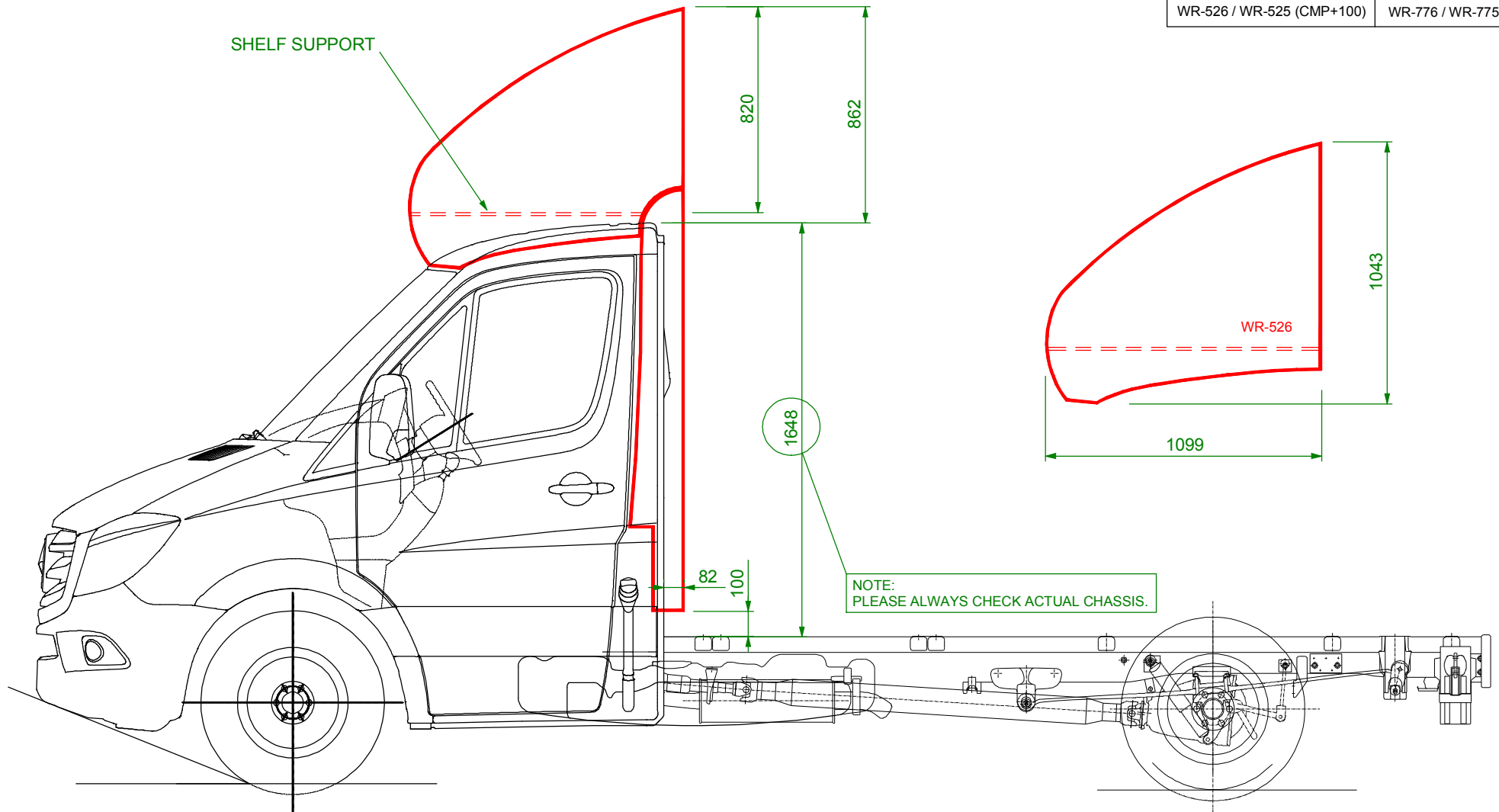


AEROLUTON POD AND SIDEWINGS DRAWING CAN BE USED ON VOLKSWAGEN CRAFTER CAD DRAWINGS.

MERCEDES SPRINTER	VOLKSWAGEN CRAFTER
WR-526 / WR-525 (CMP+100)	WR-776 / WR-775 (CMP+100)



DRAWN BY	PS
DATE	21-07-16
BATCH	-
CUSTOMER	-

PART No. WR-526 / WR-525 (CMP+100)
 MERCEDES SPRINTER AEROLUTON POD AND CAB REAR SIDEWINGS.
 OVERALL WIDTH IS 2095mm. SIDEWINGS PROTRUDE 82mm BEHIND CAB-REAR VERTICAL SEAMS, MEASURED AT CHASSIS TOP LEVEL.
 CHASSIS TO TOP OF CAB IS APPROX 1648mm. THIS DIMENSION IS SUBJECT TO CHANGE AND CANNOT BE GUARANTEED BY AERODYNE.

Issue No: 01
 ALL DIMENSIONS ARE IN MILLIMETRES

AERODYNE GLOBAL LTD
 Innovation House
 Tunnel Bank, Bourne
 Lincolnshire
 PE10 0DJ, UK
 +44 (0) 1778 422000

