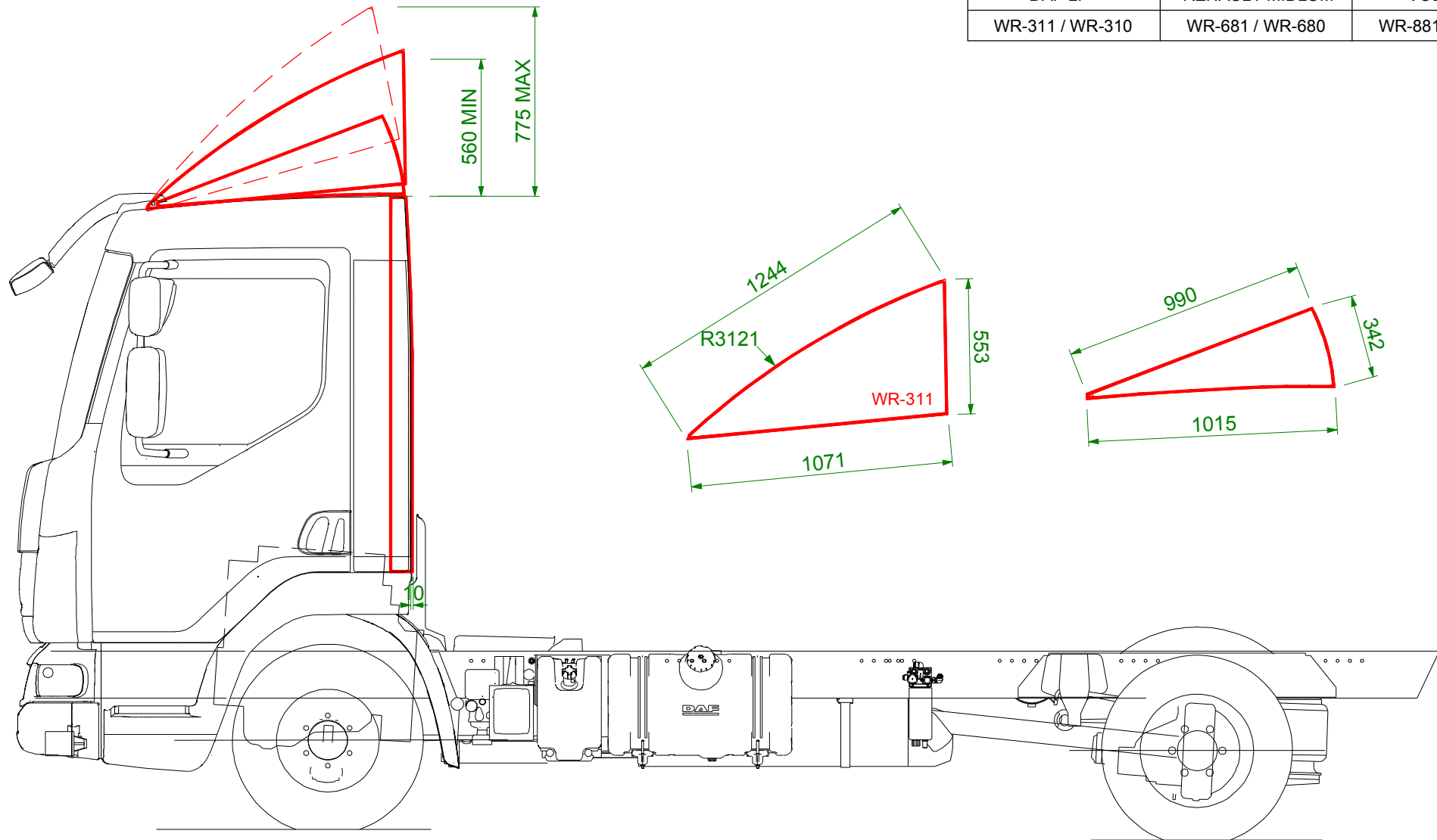


DEFLECTOR AND SIDEWINGS DRAWING CAN BE USED ON RENAULT MIDLUM DAY AND VOLVO FL DAY CAB CAD DRAWINGS.

DAF LF	RENAULT MIDLUM	VOLVO FL
WR-311 / WR-310	WR-681 / WR-680	WR-881 / WR-880



DRAWN BY	PS
DATE	20-2-14
BATCH	-

PART No. WR-311 / WR-310

Issue No: 01

ALL DIMENSIONS ARE IN MILLIMETRES

DAF LF DAY CAB ADJUSTABLE 3D FAIRING AND STANDARD DEPTH REAR SIDEWINGS
 OVERALL WIDTH IS 2250mm. SIDEWINGS PROTRUDE 10mm BEHIND CAB, MEASURED AT BOTTOM OF CAB REAR FACE.

AERODYNE EQUIPMENT
 Innovation House
 Tunnel Bank, Bourne
 Lincolnshire
 PE10 0DJ, UK
 +44 (0) 1778 422000

