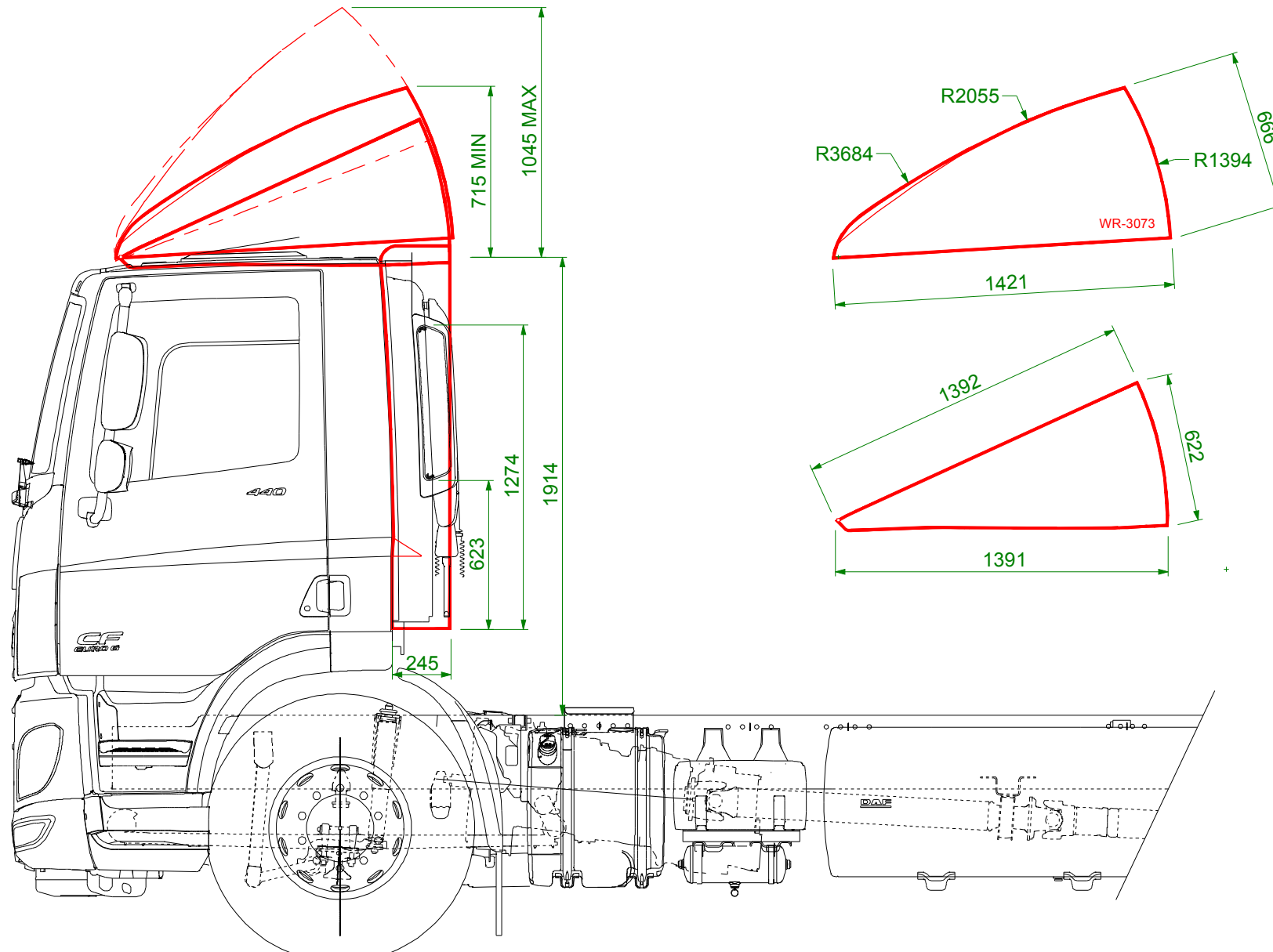


* MINIMUM HEIGHT CAN BE REDUCED DOWN TO 340mm IF REQUESTED.



DRAWN BY	PS
DATE	23-06-14
BATCH	-
CUSTOMER	-

PART No. WR-3073 / WR-3074
 DAF CF DAY CAB ADJUSTABLE 3D FAIRING AND STANDARD DEPTH REAR SIDEWINGS
 OVERALL WIDTH IS 2480mm. SIDEWINGS PROTRUDE 245mm BEHIND CAB, MEASURED FROM CAB REAR SURFACE JUST OUTBOARD OF VERTICAL WELDED SEAM.
 CHASSIS TO TOP OF CAB IS APPROX 1914mm. THIS DIMENSION IS SUBJECT TO CHANGE AND CANNOT BE GUARANTEED BY AERODYNE.

Issue No: 01
 ALL DIMENSIONS ARE IN MILLIMETRES

AERODYNE EQUIPMENT
 Innovation House
 Tunnel Bank, Bourne
 Lincolnshire
 PE10 0DJ, UK
 +44 (0) 1778 422000

